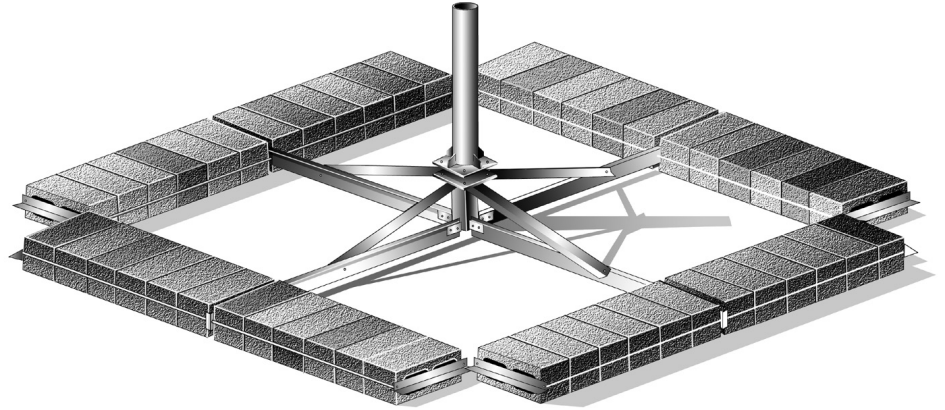


**PRODUCT
SPECIFICATIONS**

1.8 m NPRM incorporates ballast trays for maximum flexibility.



1.8 m Non-Penetrating Roof Mount MODEL 6PT12 - Post-Tension Type

The ASC Signal 6PT12 non-penetrating roof mount is designed to accommodate the 1.8 m offset antenna system. This mount has been field proven to meet demanding commercial applications.

The non-penetrating roof mount is designed to be used on a flat roof and incorporates the post-tension ballast design. The 6PT12 NPRM is a solid, easily-installed and cost-effective mounting system.

- For installations up to 125 mph survival.
- Includes rubber roof pads.
- Ballast tailored to site requirements.
- Holds up to twelve concrete blocks per leg.
- All materials comply with EU directive No. 2002/95/EC (RoHS)

